



How Nature Cleans®

Ux 202 / Ux 205

**Active Photocatalytic Oxidation
(PCO)
In Duct Technology**



USER'S GUIDE

UVAIRx, Inc.

4833 Front Street Unit B-508
Castle Rock, Colorado 80104
Phone: 303-223-2439
1-855-7-UVAIRx or 1-855-788-2479
www.UVAIRx.com



Made in the USA

CAUTION: Read manual carefully for proper procedures and operation.
Intended to be installed by a professional HVAC technician only.

LIMITED WARRANTY INFORMATION

Your Ux202/205 is warranted to be free from all defects in material and workmanship in normal household use for a period of (1) year from date of purchase. The warranty is granted only to the original purchaser and members of his or her immediate household. The warranty is subject to the following provisions.

Any damages or malfunctions caused by negligence, abuse, or use not in accordance with the Owner's Manual are not covered by this warranty. Likewise, any defects or damages caused by unauthorized service or the use of other than Genuine UVAIRx parts are not covered.

UVAIRx will, at its option, repair or replace a defective Ux202/205 or part(s) for the Ux202/205 that is covered by this warranty. As a matter of warranty policy, UVAIRx will not refund the customer's purchase price.

To obtain warranty service you must return the defective Ux202/205 or parts along with proof of purchase to the UVAIRx Authorized Warranty Station. All transportation charges on parts, or units, submitted under this Warranty shall be borne by purchaser. Unless this Warranty is expressly renewed or extended by UVAIRx, any repaired or replaced part of unit shall be warranted to the original purchaser only for the length of the unexpired portion of the original warranty.

Before any product is sent for service, the customer should contact UVAIRx to obtain a Return Merchandise Authorization (RMA) number. This number should be clearly written on the box before shipping. All components, including the power supply, cord and original packaging should be included in the return if available.

Your relief for the breach of this warranty is limited to the relief expressly provided above. In no event shall UVAIRx be liable for any consequential or incidental damages you may incur in connection with your purchase or use of the Ux307. Some states do not allow the exclusion or limitation of incidental or consequential damages, so the above limitation or exclusion may not apply to you.

This Warranty gives you specific legal rights, and you may also have other rights which vary from state to state

ABOUT UVAIRx IN DUCT PCO TECHNOLOGY

UVAIRx is a new generation HVAC air treatment system.

UVAIRx creates a Photocatalytic Oxidation (PCO) process consisting of hydroperoxides, super-oxide ions and hydroxyls – all friendly oxidizers that revert back to water and carbon dioxide after the oxidation of a pathogen.

Designed to work with a Variflow electronic fan speed control switch, the UVAIRx installation will greatly reduce odors, smoke, biological contaminants and increase the overall efficiency of the HVAC system.

UVAIRx is easily mounted into the air conditioning and heating system ducts where many indoor air pollution problems start.

SPECIFICATIONS

Features:

- Replaceable PCO cell
- Electronic variable fan speed control (optional)

Electrical:

- 12VDC operation
- Power consumption – Ux202 – 15W
- Power consumption – Ux205 – 20W

Mechanical:

- Distribution via air handler

Dimensions:

- Ux202 – 6" x 6" x 11.25"
- Ux205 – 6" x 6" x 16.25"

Coverage – Depending on the contents of the protected space:

- Ux202 – up to 2000 square feet
- Ux205 – up to 5000 square feet

Warranty:

- 12 months from date of installation

MAINTENANCE/OPERATION

Your UVAIRx In duct unit requires no periodic maintenance beyond normal replacement of the active photocatalytic technology (PCO) cell every two years. For optimal performance we recommend replacement of the PCO cell every two years even if the UV lamp appears to be working normally. It could be operating below optimal intensity to facilitate the PCO reaction

The UV lamp indicator on the face of the unit will glow when the UV lamp is in use. If the indicator does not glow and the unit has power, the PCO cell must be replaced.

Please contact UVAIRx at 303-223-2439 or 1-855-7-UVAIRx, 1-855-788-2479 for replacement PCO cells.



WARNING: UV LIGHT IN OPERATION. DISCONNECT UNIT FROM POWER SUPPLY BEFORE SERVICING. FAILURE TO FOLLOW WARNINGS MAY RESULT IN SERIOUS EYE DAMAGE.



WARNING: TO REDUCE THE RISK OF ELECTRICAL SHOCK, THIS EQUIPMENT HAS A GROUNDING-PLUG WITH A THIRD PIN. THIS PLUG WILL ONLY FIT INTO A GROUNDED WALL OUTLET. IF THE PLUG DOES NOT FIT INTO THE OUTLET, DO NOT INSTALL. THIS EQUIPMENT IS INTENDED TO BE INSTALLED ONLY BY PROFESSIONAL PERSONNEL.

WARRANTY REGISTRATION & SERVICE

Please register your new UVAIRx Air Purification product within 10 days of purchase by filling out and returning the enclosed warranty registration card or by visiting www.UVAIRx.com . Registering your new UVAIRx product entitles you to the most up-to-date UVAIRx product warranty and promotion information.

To obtain warranty service and return authorization number, please contact UVAIRx at 1-855-7-UVAIRx (855-788-2479) 303-223-2439

QUESTIONS/COMMENTS

Please contact us at:

Phone- 1-855-7-UVAIRx (855-788-2479)

303-223-2439

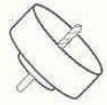
Email: info@UVAIRx.com

US Mail: UVAIRx Inc.

4533 Mirage Drive

Castle Rock, CO 80108

RECOMMENDED INSTALLATION TOOLS



3 1/2" Hole Saw
for wood or metal
(recommended)



Drill/Power Driver



Phillips Screwdriver



3/8" Drill Bit
(if installing into fiberglass
ducting with toggle bolts)

You may also need:



11/32" Open-End Wrench



1/4" Nut Driver Bit



Utility Knife

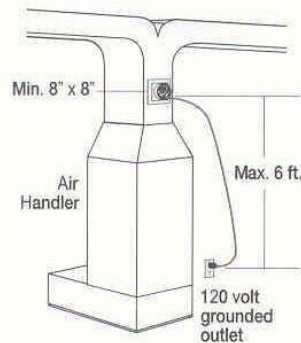


Tin Snips
(for metal ductwork)

INSTALLATION REQUIREMENTS

Installation Requirements

- Unit should be installed after the air handler in the HVAC system.
- The duct work around the installation area should be clean and dry to insure proper adhesion of the gasket materials and any tape used.
- An approximate 3.5" (8.89cm) opening will need to be cut into the existing duct work to install the unit properly.



Electrical Requirements (110 volt units only)

- To use the 120 volt plug, be sure to locate the unit within 6 ft. of a standard 120 volt grounded outlet. Long term use of an extension cord is not recommended due to safety considerations.

Hardwiring Requirements (All units)



- Permanent wiring of the unit into your HVAC system, or installatinos using a 220 volt plug (not included), should be done by a licensed HVAC installer or electrical contractor only. **WARNING: UNIT IS EITHER 120 VOLT OR 220-240 VOLT ONLY. CHECK SPECIFICATIONS ON LABELING BEFORE INSTALLING.**

For 110 volt units: Black = L1, White = Neutral, Green = Ground

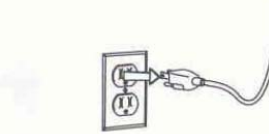
For 220 volt units: Black = L1, White = L2, Green = Ground

For International units: Brown = L1, Blue = L2, Green w/yellow stripe = Ground

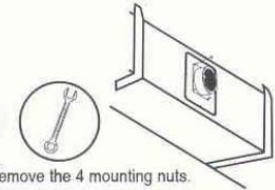
CHANGING THE PCO CELL



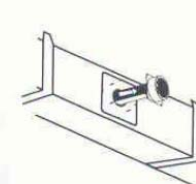
WARNING! - UV Light in operation. Disconnect unit from power supply before servicing. Failure to follow warnings may result in severe eye damage.



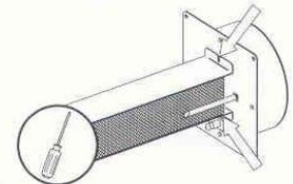
- Unplug unit. If the unit is hard wired, be sure the power to the unit is off.



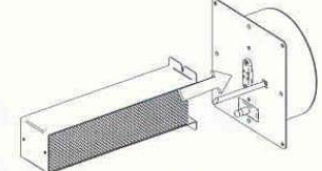
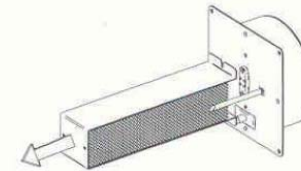
- Remove the 4 mounting nuts.



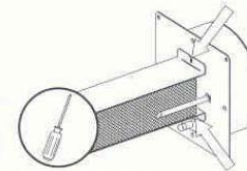
- Remove the unit from the mounting plate.



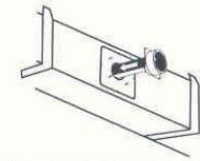
- Remove the 2 screws holding the PCO Cell.



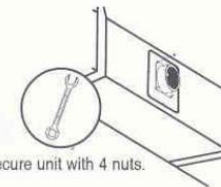
- Plug the new PCO cell into the base unit.



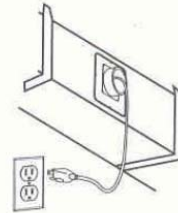
- Secure with 2 screws.



- Insert the unit into the mounting plate.

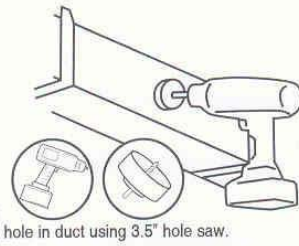
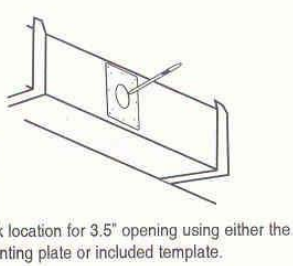
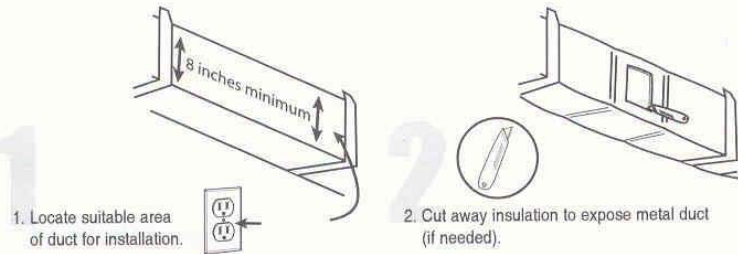


- Secure unit with 4 nuts.

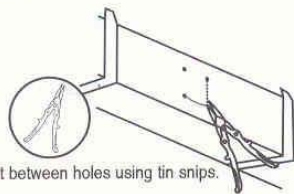
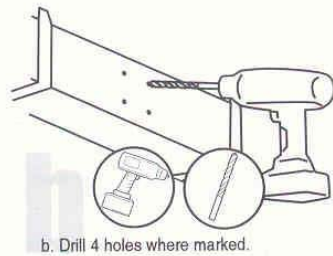
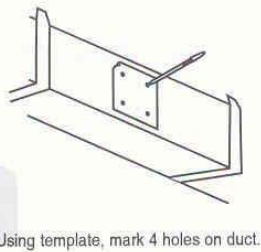


- Reconnect power supply.

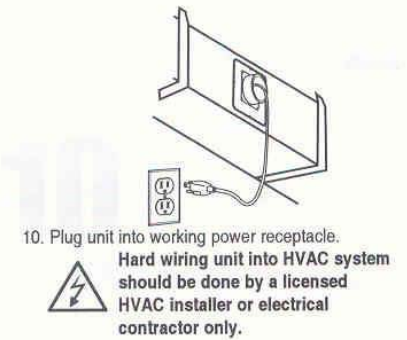
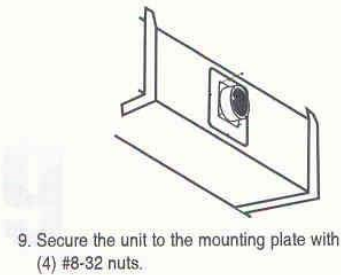
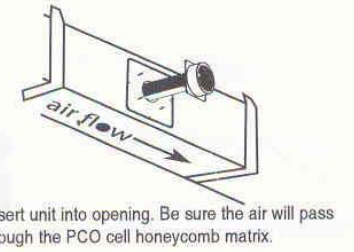
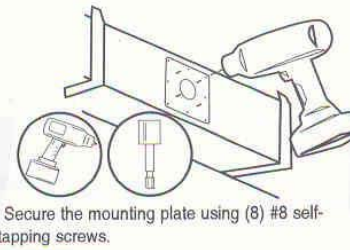
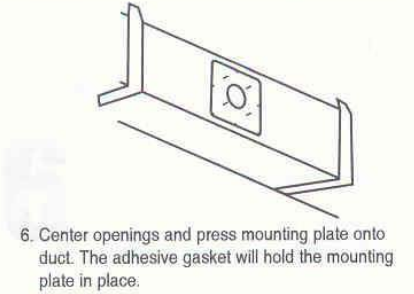
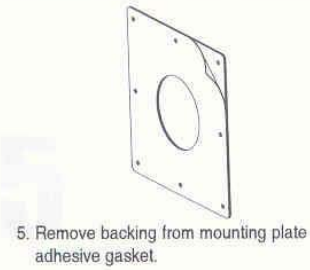
METAL DUCTWORK INSTALLATION



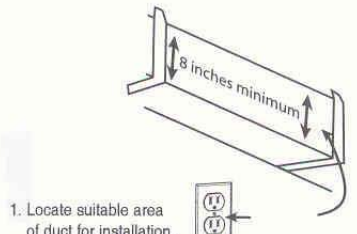
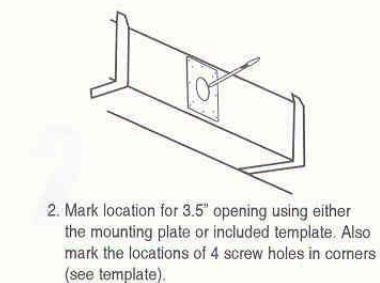
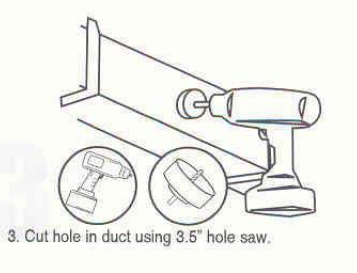

ALTERNATIVE CUTTING METHOD



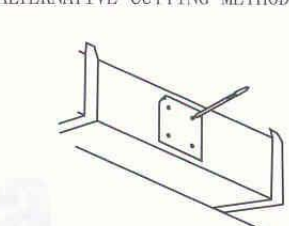
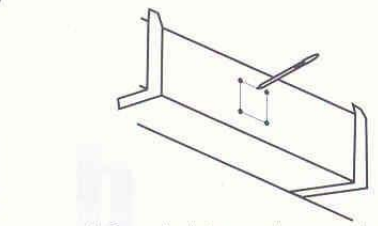
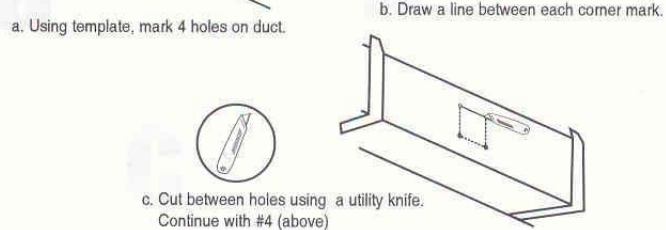
METAL DUCTWORK INSTALLATION (CONTINUED)



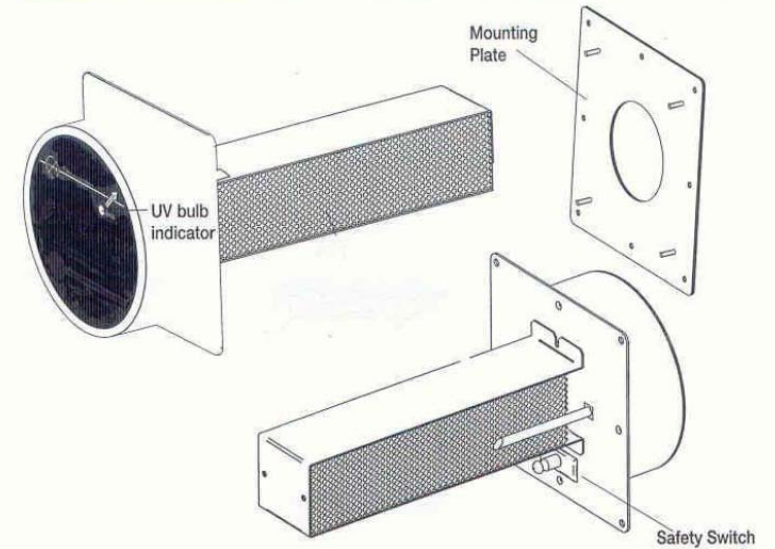
FIBERGLASS DUCTWORK INSTALLATION

- 
1. Locate suitable area of duct for installation.
- 
2. Mark location for 3.5" opening using either the mounting plate or included template. Also mark the locations of 4 screw holes in corners (see template).
- 
3. Cut hole in duct using 3.5" hole saw.
- 
4. Drill 4 holes (at corner screw locations) using a 3/8" drill bit.

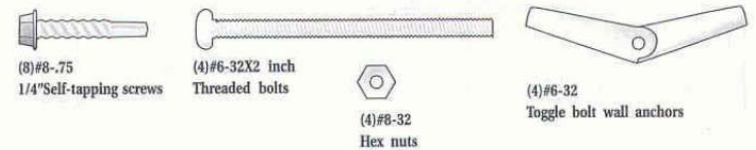
ALTERNATIVE CUTTING METHOD

- 
- a. Using template, mark 4 holes on duct.
- 
- b. Draw a line between each corner mark.
- 
- c. Cut between holes using a utility knife. Continue with #4 (above)

PRODUCT CONTENTS



INSTALLATION HARDWARE



REPLACEMENT PARTS

